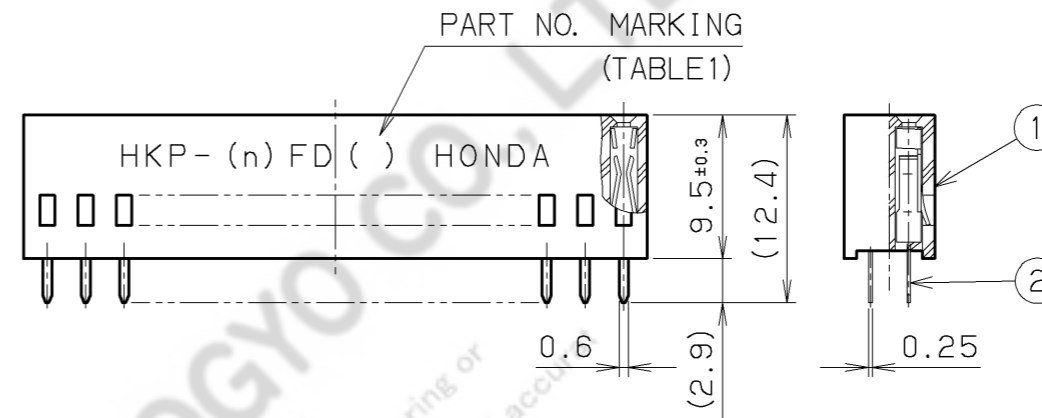
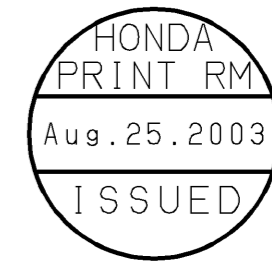
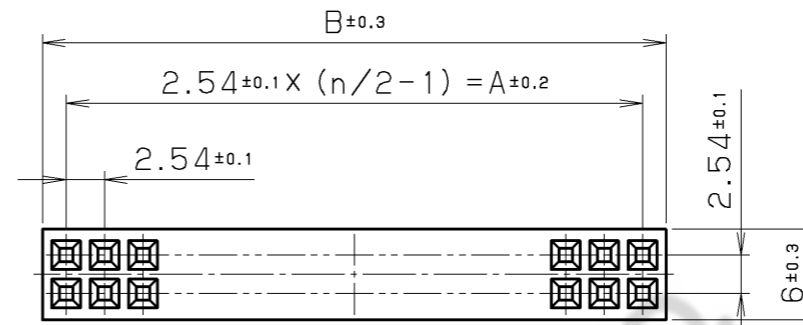


TABLE 1

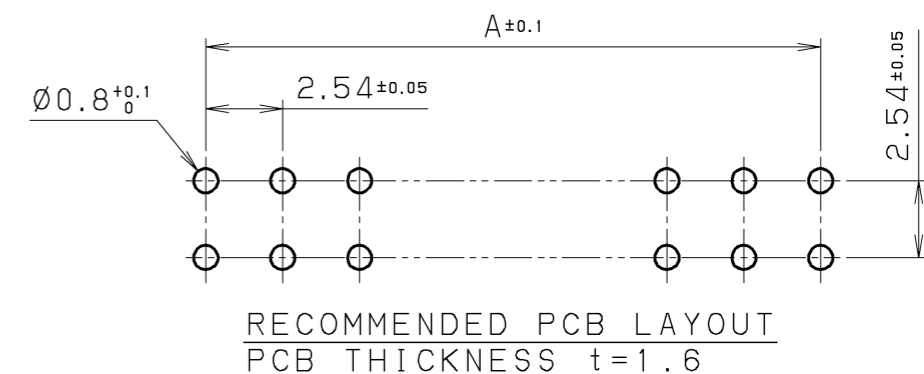
n	PART NUMBER	A	B	PART NO. MARKING
4	HKP- 4FD ()	2.54	5.68	NO MARKING
6	HKP- 6FD ()	5.08	8.22	NO MARKING
8	HKP- 8FD ()	7.62	10.76	8FD ()
10	HKP-10FD ()	10.16	13.30	HKP-10FD ()
12	HKP-12FD ()	12.70	15.84	HKP-12FD ()
14	HKP-14FD ()	15.24	18.38	HKP-14FD ()
16	HKP-16FD ()	17.78	20.92	HKP-16FD ()
18	HKP-18FD ()	20.32	23.46	HKP-18FD () HONDA
20	HKP-20FD ()	22.86	26.00	HKP-20FD () HONDA
22	HKP-22FD ()	25.40	28.54	HKP-22FD () HONDA
24	HKP-24FD ()	27.94	31.08	HKP-24FD () HONDA
26	HKP-26FD ()	30.48	33.62	HKP-26FD () HONDA
28	HKP-28FD ()	33.02	36.16	HKP-28FD () HONDA
30	HKP-30FD ()	35.56	38.70	HKP-30FD () HONDA
32	HKP-32FD ()	38.10	41.24	HKP-32FD () HONDA
34	HKP-34FD ()	40.64	43.78	HKP-34FD () HONDA
36	HKP-36FD ()	43.18	46.32	HKP-36FD () HONDA
38	HKP-38FD ()	45.72	48.86	HKP-38FD () HONDA
40	HKP-40FD ()	48.26	51.40	HKP-40FD () HONDA
42	HKP-42FD ()	50.80	53.94	HKP-42FD () HONDA
44	HKP-44FD ()	53.34	56.48	HKP-44FD () HONDA
46	HKP-46FD ()	55.88	59.02	HKP-46FD () HONDA
48	HKP-48FD ()	58.42	61.56	HKP-48FD () HONDA
50	HKP-50FD ()	60.96	64.10	HKP-50FD () HONDA
52	HKP-52FD ()	63.50	66.64	HKP-52FD () HONDA
54	HKP-54FD ()	66.04	69.18	HKP-54FD () HONDA
56	HKP-56FD ()	68.58	71.72	HKP-56FD () HONDA
58	HKP-58FD ()	71.12	74.26	HKP-58FD () HONDA
60	HKP-60FD ()	73.66	76.80	HKP-60FD () HONDA
62	HKP-62FD ()	76.20	79.34	HKP-62FD () HONDA
64	HKP-64FD ()	78.74	81.88	HKP-64FD () HONDA
66	HKP-66FD ()	81.28	84.42	HKP-66FD () HONDA
68	HKP-68FD ()	83.82	86.96	HKP-68FD () HONDA
70	HKP-70FD ()	86.36	89.50	HKP-70FD () HONDA



NOTE 1. "n" SHOWS NUMBER OF CONTACTS.
 2. JUST 4 TO 20 POS. AVAILABLE FOR HKP- () FD4 CONNECTOR.

TABLE 2

PART NO.	PLATING	
	CONTACT AREA	TERMINATION AREA
HKP- (n) FD2	GOLD 0.2μm	GOLD 0.05μm
HKP- (n) FD4	TIN/LEAD 2μm	TIN/LEAD 2μm
HKP- (n) FD5	GOLD 0.2μm	NICKEL 1μm
HKP- (n) FD6	GOLD 0.2μm	TIN/LEAD 2μm
HKP- (n) FD7	GOLD 0.05μm	GOLD 0.05μm
HKP- (n) FD8	GOLD 0.76μm	TIN/LEAD 2μm



△									
△				2	CONTACT	PHOSPHOR BRONZE	n	SEE TABLE #2	—
△	MAY.18.2001	K. N	REVISE	1	INSULATOR	PBT	1	—	UL94V-0 BLACK
LTR.	DATE	BY	REV. DESCRIPT	No.	PART NAME	MATERIAL	QTY	FINISH	NOTE
DATE		SCALE		UNIT		3RD. A. P			
MAY. 17 (2001)		5/1		mm (INCH)		HONDA TSUSHIN KOGYO CO., LTD.			
APP. DATE&REV.									
DR.	DE.	CHK.	CHK.	APP.	NAME	FEMALE CONNECTOR			
K. NISHIMAE	K. NISHIMAE	—	C. NUNOKAWA	H. EBIHARA	PART NO.	HKP- () FD ()			
					REV.				